

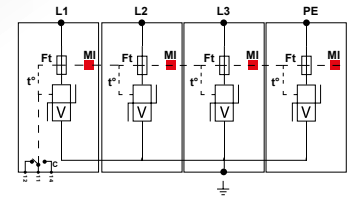
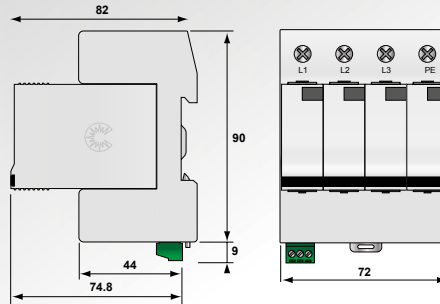
# Preliminary Data Sheet



# CITEL

## Type 1+2 AC surge protector for 800 V 3-phase IT system DS133RS-800/Y

**Iimp**  
**12.5 kA**



V : High energy MOV  
Mi : Disconnection indicator  
Ft : Thermal fuse  
t° : Thermal disconnection mechanism  
C : contac for remote signal

- **Type 1 + 2 AC power surge protector**
- **For 800 V 3-phase IT system network**
- **In : 20 kA**
- **Iimp : 12,5 kA**
- **Pluggable module for each phase**
- **Remote signaling**
- **EN 61643-11, IEC 61643-11 and UL 1449 ed.4 compliance**

## Characteristics

CITEL Model	DS133RS-800/Y
Description	1+2 AC surge protector 3-phase IT system
AC Network	800 Vac
Max. AC operating voltage	Uc 880 Vac
Residual current - Leakage current at Uc	Ipe < 1 mA
Follow current	If None
Nominal discharge current - 15 x 8/20 μs impulses	In 20 kA
Max. discharge current - max. withstand @ 8/20 μs by pole	I <sub>max</sub> 50 kA
Impulse current by pole - max. withstand 10/350 μs	I <sub>imp</sub> 12.5 kA
Specific energy by pole	W/R 40 kJ/ohm
Protection level	Up 3.4 kV
Admissible short-circuit current	I <sub>sc</sub> 25000 A
<b>Associated disconnectors</b>	
Thermal disconnector	internal
Fuses	Fuses Type gG - 125 A
<b>Mechanical characteristics</b>	
Dimensions	see diagram
Connection to Network	By screw terminals: 2.5-25 mm <sup>2</sup> / by bus
Disconnection indicator	1 mechanical indicator/module
Remote signaling of disconnection	Output on changeover contact
Spare unit	DSM130R-400
Mounting	Symmetrical rail 35 mm (EN60715)
Operating temperature	-40/+85°C
Protection rating	IP20
Housing material	Thermoplastic UL94-V0
Standards compliance	IEC 61643-11 / EN 61643-11 / UL1449 ed.4

