



ELKO BIS

SYSTEMY ODGROMOWE



www.elkobis.com.pl

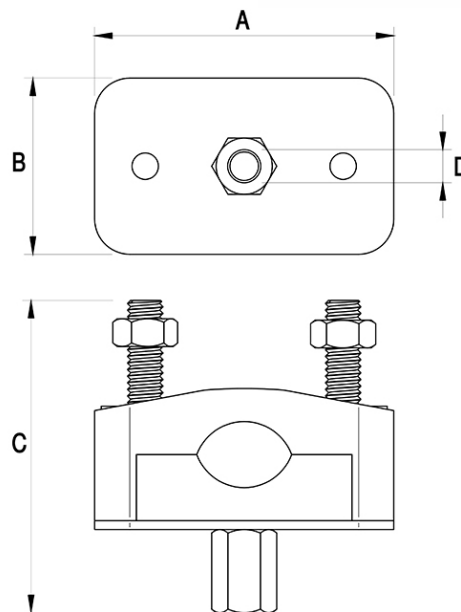
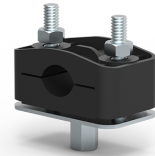
High Voltage Cable Holder with Connector

Cat. no.
30400101

Type
304.1

Material
(ST/TZN) Galvanized steel

For High Voltage Cable mounting. Used with other ELKOBIS products, assembly on different type constructions e.g 31100110, 97701105, 96701105. Holder resistance to weather conditions and UV radiation.



TYP	A	B	C	D
304.1	70	40	70	M8



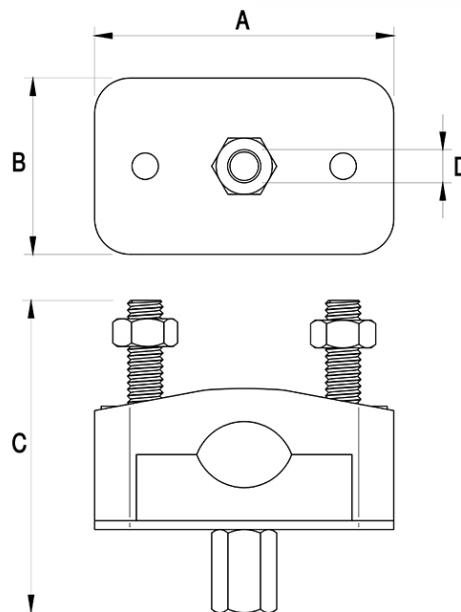
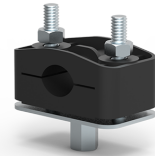
High Voltage Cable Holder with Connector

Cat. no.
30400201

Type
304.2

Material
(ST/TZN) Galvanized steel

For High Voltage Cable mounting. Used with other ELKOBIS products, assembly on different type constructions e.g 31100110, 97701105, 96701105. Holder resistance to weather conditions and UV radiation.



TYP	A	B	C	D
304.2	70	40	94	M16



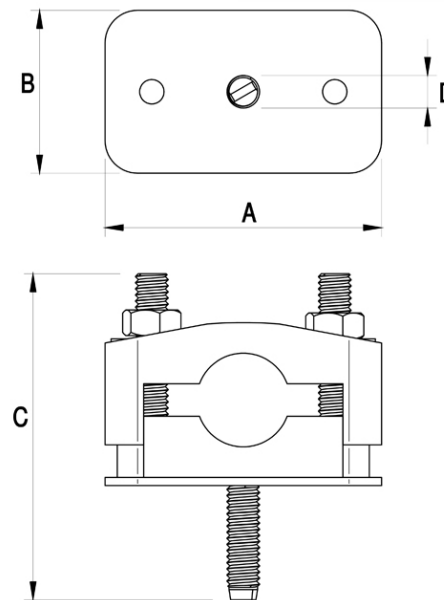
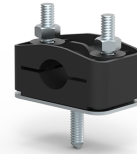
M8 Thread-High Voltage Cable Holder

Cat. no.
30500101

Type
305.1

Material
(ST/TZN) Galvanized steel

For High Voltage Cable mounting. Holder to be used together with concrete bases 92910101 (order separately). To lead cable on flash roofs membrane or tar board covered. Can be also fastened to steel sheet roofs e.g. obornicka steel sheet, using special footer 30600101.



TYP	A	B	C	D
305.1	70	40	72	M8



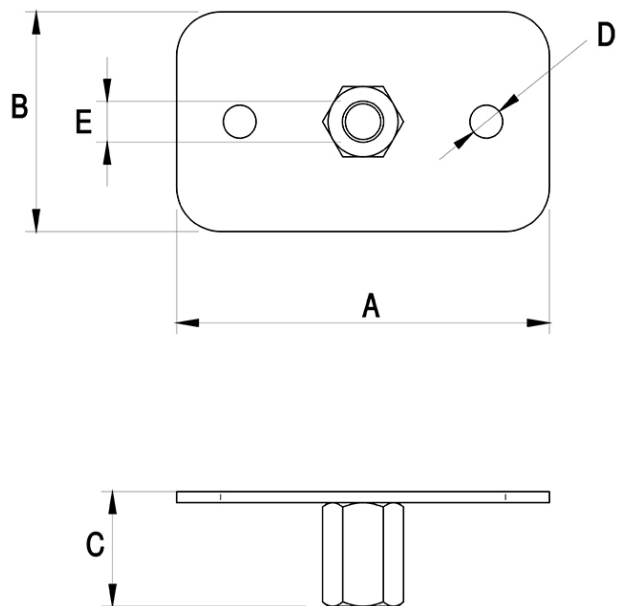
High Voltage Cable Holder

Cat. no.
30600101

To fix High Voltage Cable holder 30500101
using 2 anchors or self-drilling screws for
steel sheets or elevations.

Type
306.1

Material
(ST/TZN) Galvanized steel



TYP	A	B	C	D	E
306.1	70	40	26	Ø 6	M8



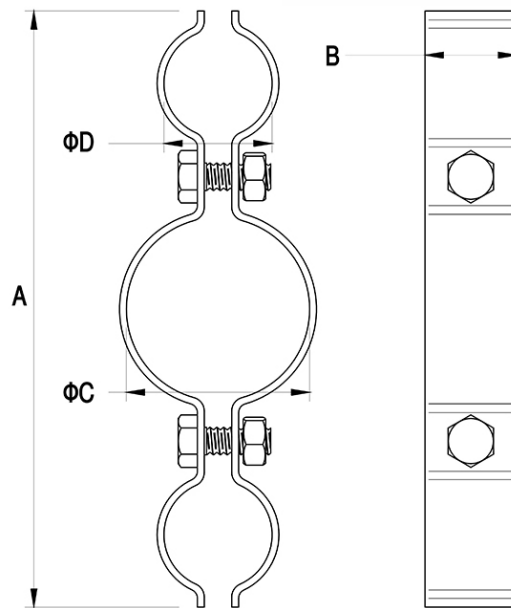
High Voltage Interception Air Rod Holder

Cat. no.
30900105

For leading 2 high voltage cables on the outer side of Interception Rod e.g 96575005.
Distance between holders should not exceed 1 meter. Stainless steel holder.

Type
309001

Material
(SS) Stainless steel



TYP	A	B	C	D	Bolt
309001	130	20	40	23,6	2x M6x16



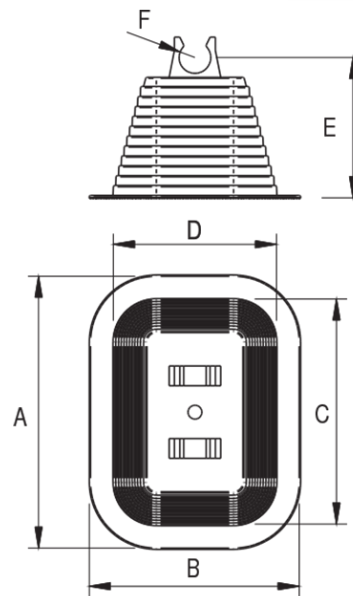
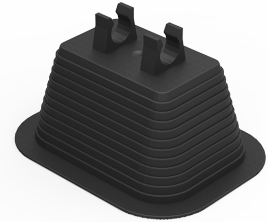
High Voltage Cable – PVC Coated Concrete Holder

Cat. no.
31000111

Type
31000111

Material
PCV-Concrete

For fixing wire on the flash roofs. Can be glued to roof surface using glueing composition ELKO- FIX 99300199 or membrane glue 11000599. Use only 8mm wire.



TYP	A	B	C	D	E	F
31000111	208	160	165	125	106	Ø24



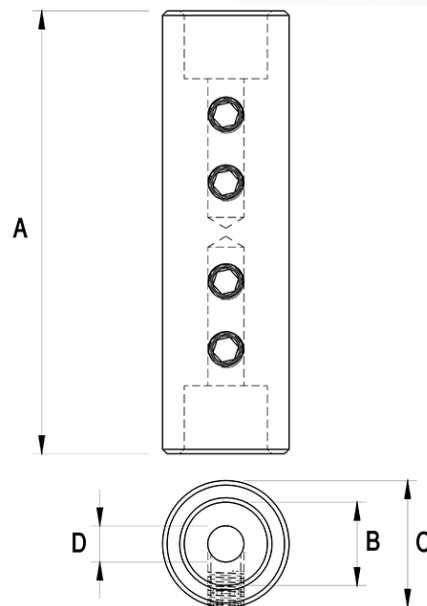
High Voltage Cable Connector

Cat. no.
31100105

Type
311.1

Material
(SS) Stainless steel

For High Voltage Cables connections. Brass made guarantee excellent resistance for wheater conditions. In a set with screw protection glue and heat shrink tubing. NOTE: End Tip assembly according to instruction. Consider connection point as non isolated instalation, keeping demanded isolation distance.



TYP	A	B	C	D	Socket screws
311.1	98	20	28	9	4 × M8 × 12

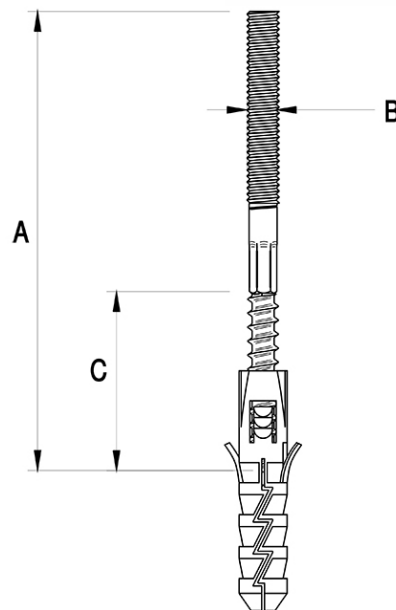
Double-Threaded Screw

Cat. no.
31208001

For High Voltage Cable holders 30400101
wall mounting, using fixing plug which comes
in a set.

Type
312.1

Material
(ST/TZN) Galvanized steel



TYP	A	B	C
312.1	80	M8	Ø 12 × 60



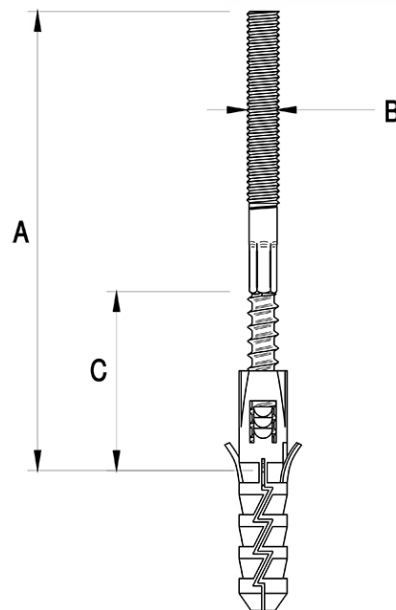
Double-Threaded Screw

Cat. no.
31212001

For High Voltage Cable holders 30400101
wall mounting, using fixing plug which comes
in a set.

Type
312.2

Material
(ST/TZN) Galvanized steel



TYP	A	B	C
312.2	312.2 120	M8	Ø 12 × 60



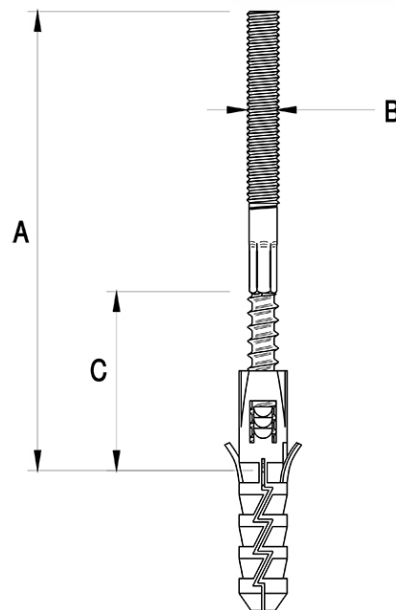
Double-Threaded Screw

Cat. no.
31220001

For High Voltage Cable holders 30400101
wall mounting, using fixing plug which comes
in a set.

Type
312.3

Material
(ST/TZN) Galvanized steel



TYP	A	B	C
312.3	200	M8	Ø 12 × 60



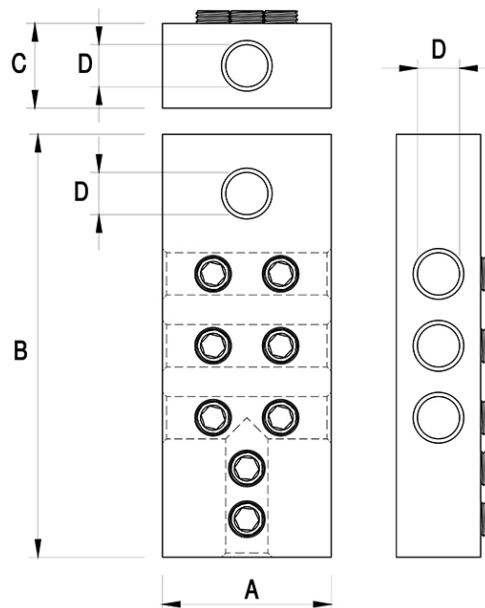
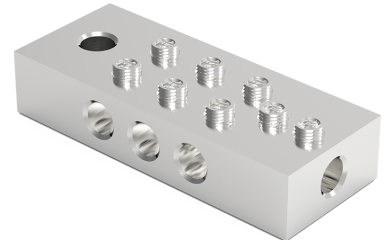
High Voltage Cables Connector

Cat. no.
31300105

Type
313.1

Material
null

For High Voltage Cables connections.
Connector arrangement allows 3-4 cable connection at the same time together with air termination instalation. Consider connection point as non isolated instalation, keeping demanded isolation distance.



TYP	A	B	C	D	Socket screws
313.1	40	100	20	10	8 × M8 × 12



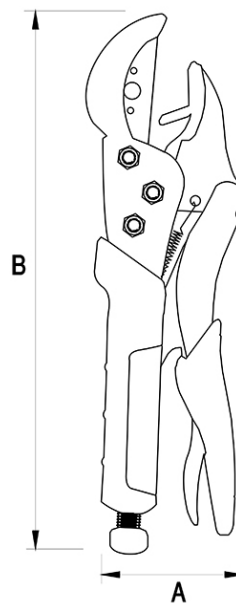
High Voltage Cable Scissors

Cat. no.
31400101

To remove insulation bit out of High Voltage Cable , enabling end tip fixing 30100105.

Type
314.1

Material
(ST/TZN) Galvanized steel



TYP	A	B
314.1	60	245

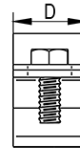
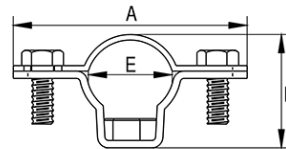
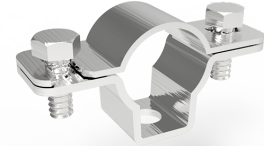
High Voltage Cable Holder

Cat. no.
31600105

To lead high voltage cable conductor over walls and steel constructions. 2 types with and without connector to direct flat surface fixing.

Type
316.1

Material
(SS) Stainless steel



TYP	A	B	C	D	E	Bolt	Notes
316.1	64	31	x	20	23	2 × M6 × 16	2 × M6 × 16



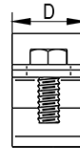
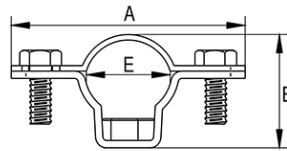
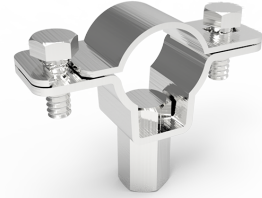
High Voltage Cable Holder

Cat. no.
31600205

To lead high voltage cable conductor over walls and steel constructions. 2 types with and without connector to direct flat surface fixing.

Type
316.2

Material
(SS) Stainless steel



TYP	A	B	C	D	E	Bolt	Notes
316.2	64	64	25	20	23	2 × M6 × 16	2 × M6 × 16



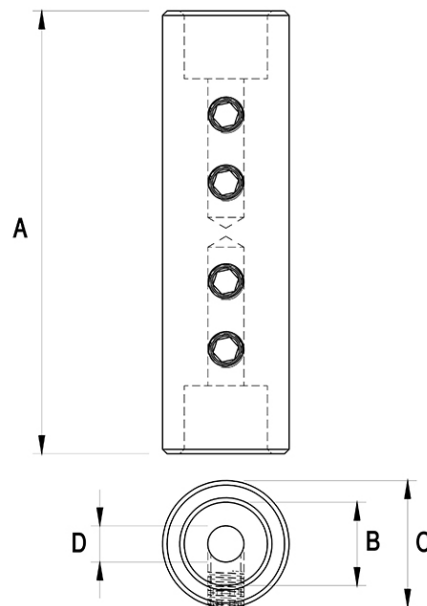
High Voltage Cable Connector

Cat. no.
91100109

Type
311.1

Material
(AL) Aluminium

For High Voltage Cables connections. Brass made guarantee excellent resistance for wheater conditions. In a set with screw protection glue and heat shrink tubing. NOTE: End Tip assembly according to instruction. Consider connection point as non isolated instalation, keeping demanded isolation distance.



TYP	A	B	C	D	Socket screws
311.1	98	22	28	9	4 x M8 x 12

